

# TSG 160

Immersion radiator device - perfected water disinfection



**UVpro** TSG 160 immersion radiator devices are ideal for disinfection of huge water tanks, among others in storage reservoirs. By hanging position directly in the reservoirs, not only the process water is disinfected effectively, but also prevents the formation of biofilms in the tank and on exposed surfaces.

- For water tanks, humidifiers, cooling towers
- Suitable for complete immersion (IP 68)
- Easiest installation, also subsequently

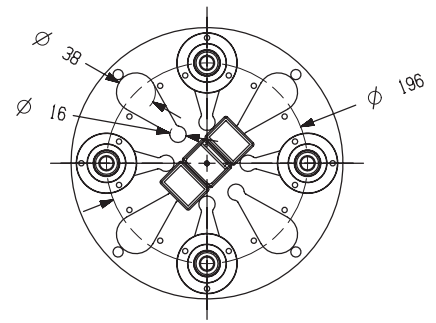
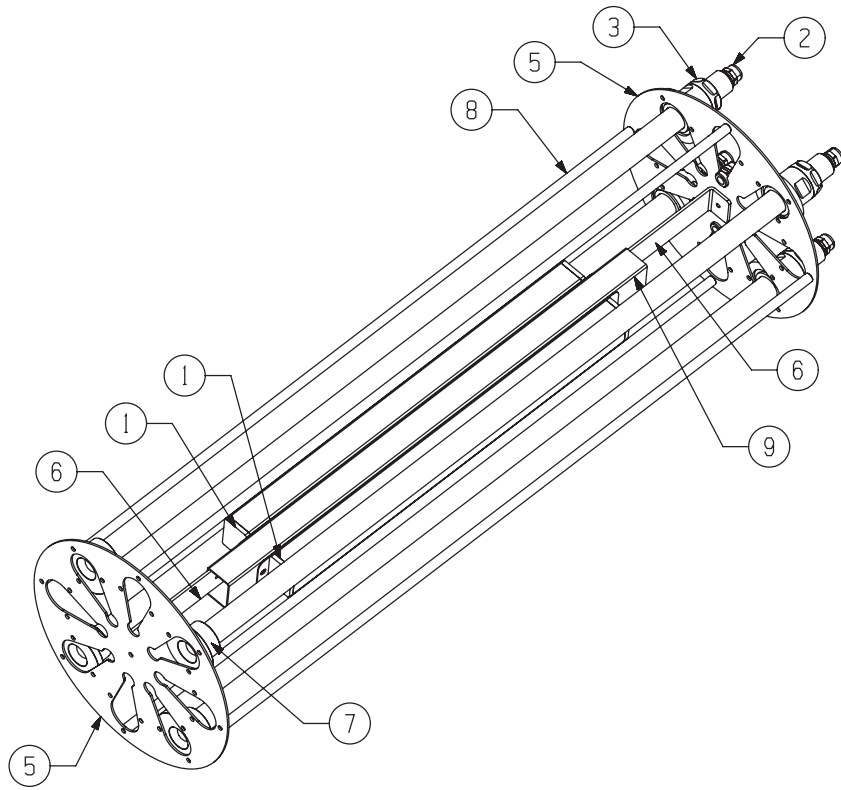


## SPECIFICATIONS. Technical changes reserved

Type	<b>UVpro TSG 160</b>
In conformity with requirements	EMV, CE, IP 68
Material	stainless steel: WN 1.4301 and WN 1.4305
Operating temperature [°C]	4x <b>UVpro</b> K36-2/-4P
Suitable <b>UVpro</b> tube	<b>UVpro</b> K20-2 / -4
Input power [W]	164
Current flow [mA]	780
Total UVC output [W <sub>253,7 nm</sub> ]	64
Mount	eyelet for chain attachment
Size (H x Ø) [mm]	905,6 x 265
Weight [kg]	~10
Screw joint, wrench size [mm]	34
Tube replacement interval [h]	12.000 (75% ±5 % output performance)
Life expectancy electronics	>10 years
Supply voltage [VAC]	220...240 (50...60Hz)
Power cable length [m]	2x 15 (length customisable)

# TSG 160

Immersion radiator device - perfected water disinfection



Schnitt B-B

